

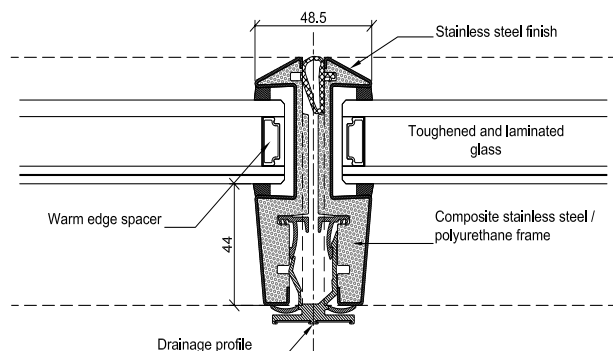
PRODUCT DESCRIPTION

VITRAL VRS is a panel based glass roof system with profiles in stainless steel. VRS is characterised by a modern and exclusive design as well as slim and shallow profiles. The minimal frames maximise the light without loss of performance, it is unique compared to other glass roof systems. Why stainless steel? No other material offers such a superb combination of strength, thermal insulation and durability. Where uncompromising performance meets razor sharp aesthetics the VITRAL VRS system is the only choice.



MATERIAL

VITRAL VRS roof light system is constructed from glass, stainless steel (AISI 316), plastic, aluminium and rubber. Stainless steel framing provides superior weather resistance. The frames are thermally broken with an integrated PUR core. All materials are recyclable.



GLASS TYPE

VITRAL VRS roof light system uses low 'e' insulated glass units with Argon fill and "warm edge" spacer. VITRAL VRS is also available with triple glazed low 'e' insulated glass units with Krypton fill and "warm edge" spacer. All panels use toughened over laminated safety units. A complete range of multi-coated solar control options are available to suit the project.

U-VALUE

Double glazed units:

- U-value for the VRS system overall is 1.5 W/m²K.*
- U-value for the glass is 1.1 W/m²K.

Triple glazed units:

- U-value for the VRS system overall is 1.0 W/m²K.*
- U-value for the glass is 0.7 W/m²K.

* U-values are calculated according to EN14351 (part of CE standard).
Specific roof light U-value will be calculated individually for every case.

FINISH

VRS roof glazing is produced in stainless steel finish.

ASSEMBLY – READY TO INSTALL

VITRAL VRS is delivered in prefabricated modular panels for safer and quicker site installation. Fully framed panels provide support and edge protection for glass on all sides preventing breakages on site and reducing potential injuries.

Installation of the VRS system starts with pre-notched head profiles that carry the panels in exactly the correct position. Once in place each panel is connected to the profile and locked in place. A pre-determined space separates each panel and acts as a movement joint. Gaskets sit between panels and at junctions around the perimeter of the glazing providing a thermal and air tight seal. All perimeter junctions are double sealed.

VENTILATION

VITRAL VRS requires no carrier frame, unlike patent glazing or curtain walling, providing seamless integration of opening vents. Up to 50% of panels can open ensuring natural ventilation keeps the space airy and cool when required. Whether fixed or opening VITRAL VRS roof lights retain their slender elegant frames; sight-line of just 48 mm.

Minimal framing maximises light penetration. VITRAL VRS opening panels can be top or bottom hung for natural ventilation and life safety smoke evacuation.



DIMENSIONS, POSSIBILITIES & LIMITATIONS

VITRAL VRS roof lights offer many possibilities for bringing your ideas to life, such as single pitch or double pitch, gables, hips, valleys and pyramids, in-laid roof lights, single or multiple tier. VITRAL VRS roof lights can also be installed vertically.

Profile dimensions:

- Height: 90 mm
- Width: 48 mm

Panel dimensions:

- Height: 260-3200 mm
- Width: 260-1200 mm
- Panel area: Max. 2.5 m²

Installation pitch:

- Single pitch roof lights: 15-90°
- Double pitch roof lights: 25-60° (15° if fully supported)

Panel size depends on pitch and other static conditions. VITRAL perform static calculations for every project.

WARRANTY

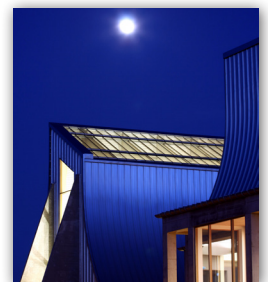
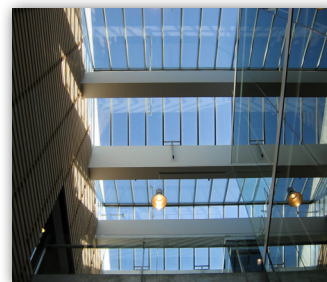
VITRAL VRS comes with a 5 year warranty and a 2 year warranty for opening mechanisms. VRS is CE marked according to DS/EN14351-1. VITRAL VRS can also be part of the building's fire strategy - EN12101-2 Natural Smoke and Fire Ventilation. VITRAL has ISO9001:2008 certification.

SUPPORT & CALCULATION SERVICE

At VITRAL, we are always ready to answer your questions about roof glazing, flat roof lights, U-values, static panel calculations, budgets and details.

ABOUT VITRAL

VITRAL has some of the most energy saving glass roof systems on the market today, creating an indoor climate in which children and adults can flourish. Do not hesitate to contact the VITRAL UK office and receive more information!



CONTACT VITRAL

VITRAL UK LTD.

83 High Street
Linton
Cambridgeshire, CB21 4JT
Tel: +44 1223 499 000
vital-uk@vital.co.uk
www.vital.co.uk

HEAD OFFICE

VITRAL A/S
Lyfa Parken, Måløv Byvej 229
DK-2760 Måløv, Denmark
Tel: +45 4718 0100
info@vital.dk
www.vital.dk